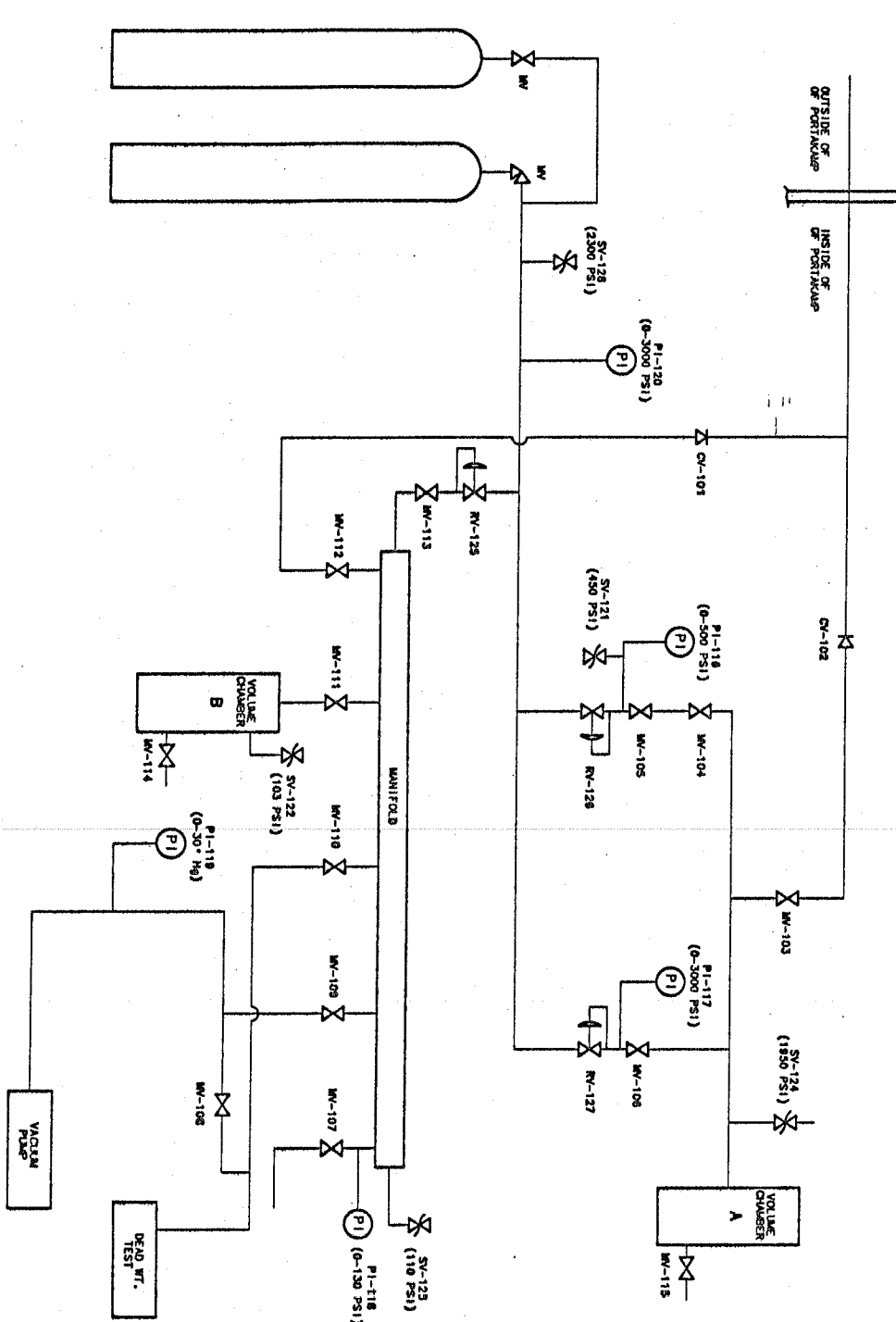


REV.	DESCRIPTION	DESIGNED	DATE
A	CHANGED VALVE DESCRIPTIONS	RCH	6/23/92
C	ADDED EXTRA TANK	C NILA	8/28/92
B		RCH	7/92
			7-2-92



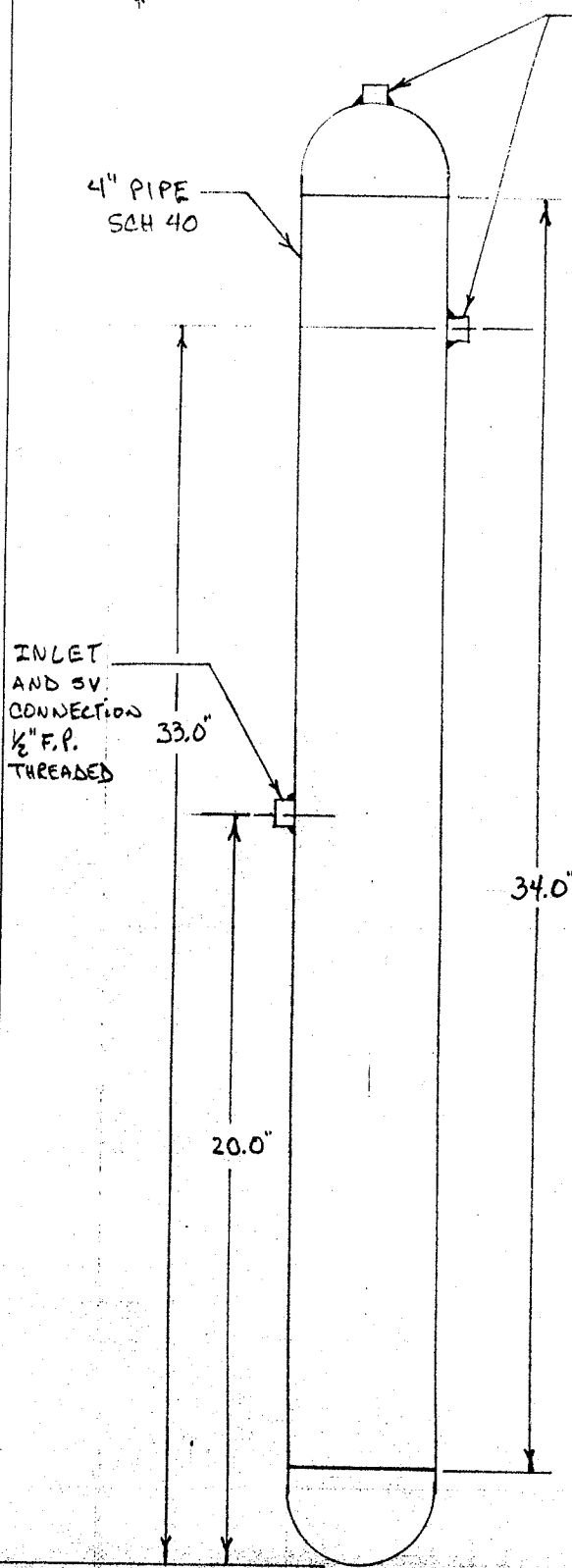
ITEM NO.	PART NO.	DESCRIPTION OR SIZE	REV.
PARTS LIST			
1	1	DOUGL ECHRY	5/92
2	2	R HARLING	5/92
3	3	C NILA	5/22/92

1. WORK ALL SHOP DROPS
2. DO NOT TIGHTEN BOLTS
WITH MORE THAN 3 TORQUE
3. SEE ALL DIMENSIONS
4. SEE ALL DIMENSIONS

FEDERAL NATIONAL ACCELERATOR LABORATORY
UNITED STATES DEPARTMENT OF ENERGY

RD/CRYOGENICS DEPT.
RELIEF VALVE TEST PANEL

SCALE: NONE
DRAWING NUMBER: MD-194470
SHEET NO.: 1
REV.: B



TEST CONNECTIONS
 1/2" F.P. THREADED

4" PIPE
 SCH 40

INLET
 AND SV
 CONNECTION
 1/2" F.P.
 THREADED

33.0"

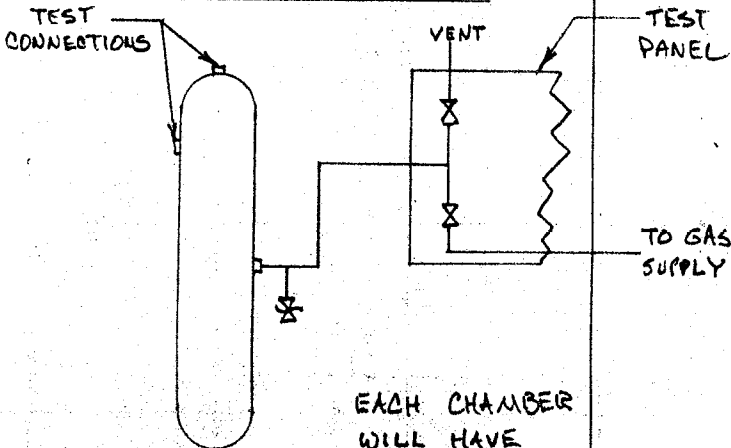
20.0"

34.0"

PROPOSAL

3 IDENTICAL CHAMBERS
 EACH WITH SEPERATE SAFETY
 VALVES SET AT; 110 psi, 520
 psi, 2000 psi.

FLOW DIAGRAM



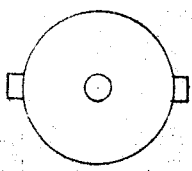
TEST CONNECTIONS

VENT

TEST PANEL

TO GAS SUPPLY

EACH CHAMBER
 WILL HAVE
 SEPERATE INLET
 AND VENT VALVES



TOP VIEW